

AFTERCARE INSTRUCTIONS

Excessive exposure to water will deteriorate the furniture. Wipe away any water splashes or condensation after use. **Do not allow water to sit on the countertops or inside the drawers.**

All bathrooms should be well ventilated. We recommend the installation of a suitable extractor fan.

Clean with a soft damp cloth only.

Use a wax free polish if one must be used.

CUSTOMER SERVICE

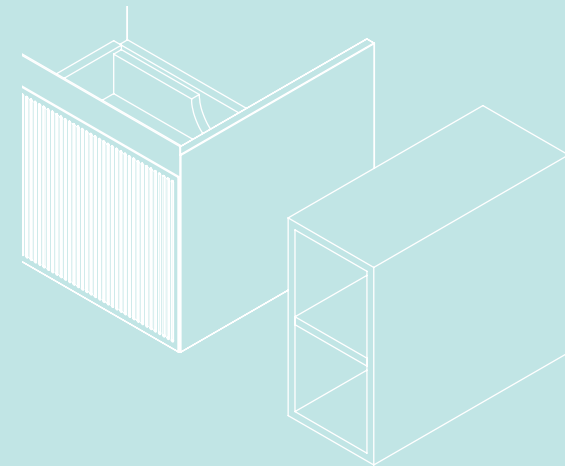
t: +44(0)208 686 5100
e: technical@saneux.com

Iain Stewart Centre, Beehive
Ring Road, Gatwick, RH6 0PB

www.saneux.com

FURNITURE SPACER

INSTALLATION INSTRUCTIONS



1.

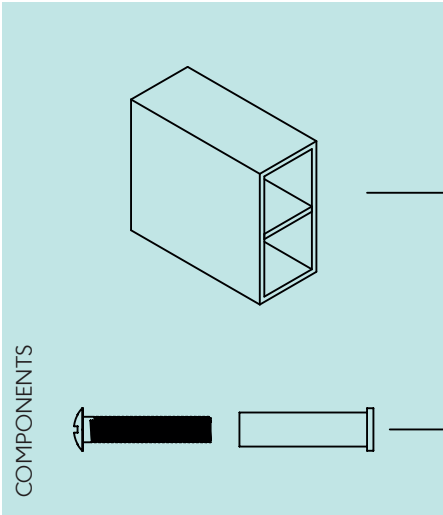
UNIO20S

Matte White, Matte Black, Matte Sage
Matte Anthracite, Engglish Oak

saneux

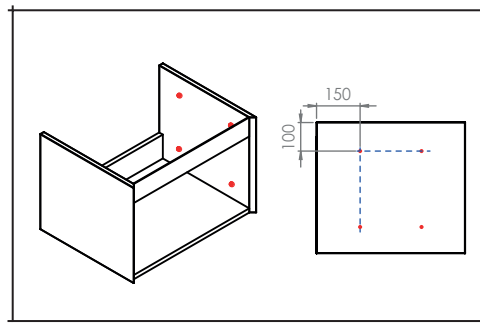
BEFORE YOU START

- Ensure you have all the necessary components. See diagram below
- Determine your set up, to understand how to install the furniture spacer to the furniture



1 x Furniture Spacer

4 x Concealed Bolt

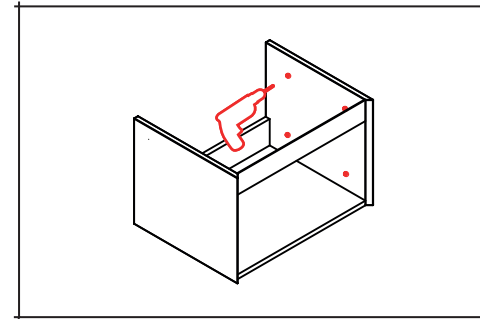
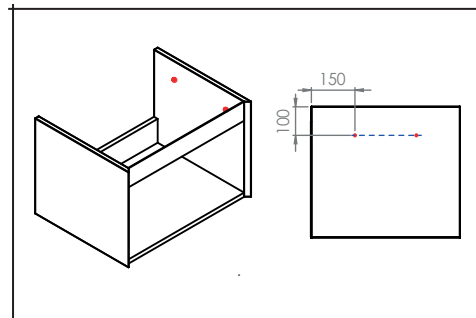


1. **OPTION 1 - Mounting on one side:**
Mark 4 fixing locations on the carcass of the furniture and the spacer.

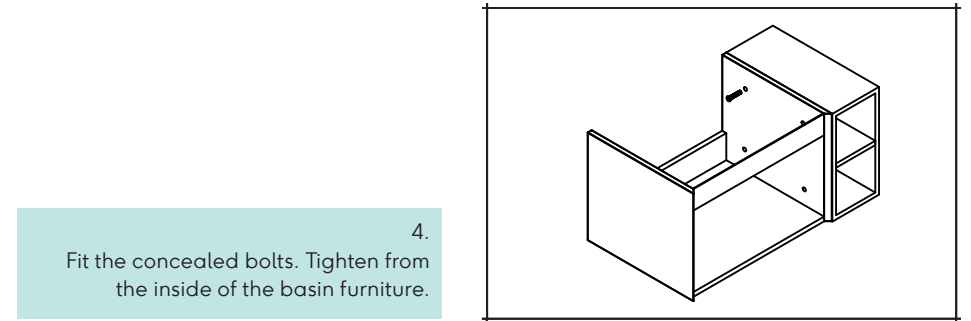
Ensure that the holes line up before drilling.

2. **OPTION 2 - Mounting in the middle:**
Mark 2 fixing locations on each carcass and on both sides of the furniture spacer.

Ensure that the holes line up before drilling.



3. Drill fixing holes in the Basin unit and furniture unit using an appropriate size drillbit for the concealed threaded bolts. It is advised to produce pilot holes first.



4. Fit the concealed bolts. Tighten from the inside of the basin furniture.



5. Refer to the furniture unit instructions to mount on the wall.

